



HONDA CBR 1000 RR ABS (2009)

SLIP-ON STREET LEGAL EXHAUST SYSTEM

Our sporty and lightweight SLIP-ON exhaust system offer a great balance between price and performance and represent the first step in the exhaust system tuning process. The change will be also visual as our HEXAGONAL muffler perfectly fit the exterior line of the Fireblade and add a clean racing image. The muffler outer sleeve is made of titanium or carbon-fiber, which gives a special hi-tech touch to our SLIP-ON system. We offer street legal system with valve and open system.

PERFORMANCE

Measurements of the Akrapovic SLIP-ON single exhaust system on the HONDA CBR 1000 RR ABS (without muffler insert):

Power & Torque: the exhaust system modification with the SLIP-ON system results in a major boost in performance, delivering a massive 168.9 HP at 12450 rpm on back wheel. But the increased power isn't available just at the top of the range; the system shows its quality already from 3800 rpm up through entire rpm range. Max. increased power between the Akrapovic and the stock system is 4.6 HP at 6550 rpm. Besides this, the torque is substantially higher in a lower rpm area at 3500 rpm and from middle to high rpm area.



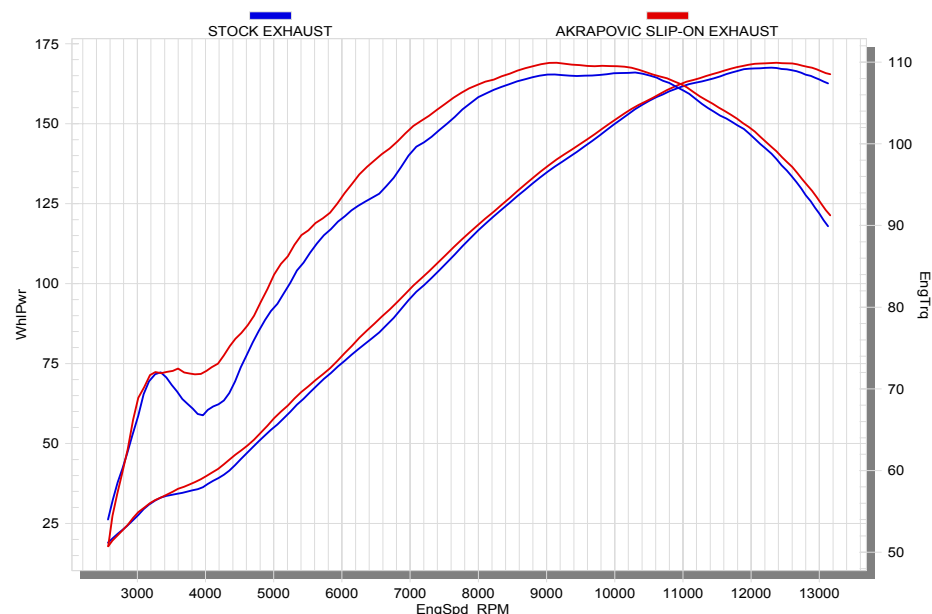
PERFORMANCE			
	stock	AKRAPOVIC	max. increased power
max. rear wheel power HP / rpm (measured on Dynojet ATV)	167.5 / 12300	168.9 / 12450	4.6 / 6550

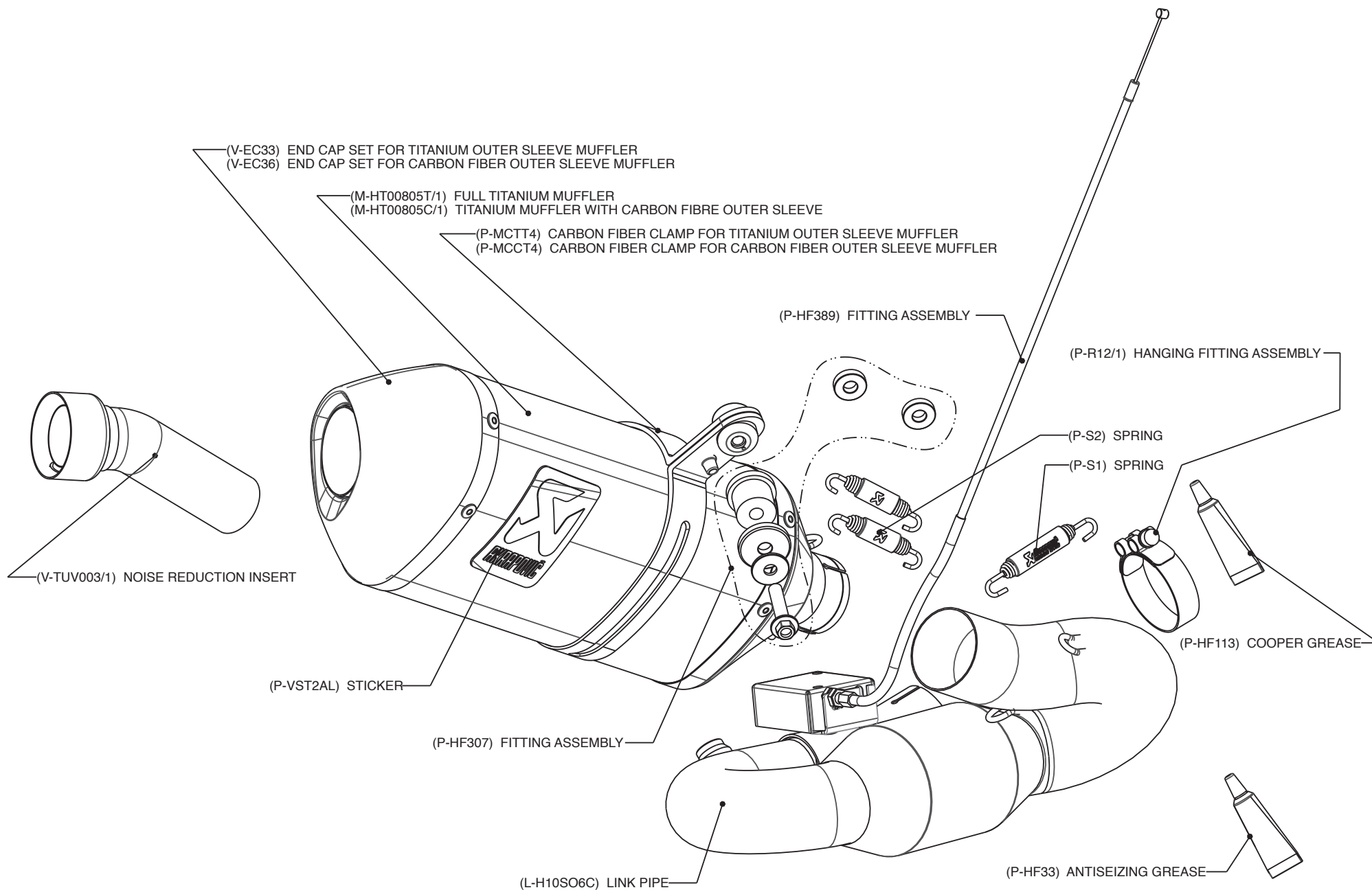
ADDITIONAL DATA					
weight comparison (kg)	stock	AKRAPOVIC		difference	
	6.2	S.S. link pipe OPEN	S.S. link pipe street legal	stock – SO OPEN	stock – SO street legal
		2.39	3.36	3.81	2.84

noise measurements (dB / rpm)	stock	AKRAPOVIC
		99 / 6000
legal for street use	YES	

Technical specifications of Akrapovic exhaust systems and related products subject to change without notice.

Product code: (110906) S-H10SO8T-HTC, (110903) S-H10SO8T-HTT





Product code: (110906) S-H10SO8T-HTC, (110903) S-H10SO8T-HTT



www.akrapovic.com

Akrapović d.d. 2009 all rights reserved
 15.04.2009