



Yamaha YZF R1 (2004)

Slip-On SP Series Exhaust System

Akrapovic Slip-On SP Series Exhaust System

for the YAMAHA YZF R1 (2004)

The Akrapovic SLIP-ON SP SERIES is the first stage of exhaust system tuning. It differs from the standard SLIP-ON system in its selection of materials. The tubes, front rosette, end cap and interior of the muffler are made out of stainless steel, while the outer sleeve is titanium. For 2004 Yamaha R1 we offer a basic version of the Akrapovic SLIP-ON exhaust system with two mufflers and two link pipes. We have also developed an extended version with an optional Y- connecting tube. The basic Akrapovic SLIP-ON system allows the use of the stock catalytic converter. The version with the optional Y- connecting tube extends past the point where the catalytic converter is located, so that the catalytic converter is removed. There is no major difference in performance between the two systems. The system is intended for riders who do not wish to make major exhaust system modifications, and who like the lower price in comparison to the standard SLIP-ON system and the fact that it is legal for street use.

PERFORMANCE

Measurements of the Akrapovic SLIP-ON SP SERIES system on the YAMAHA YZF R1 (with-out noise damper):

Power: performance measurements were made on both systems. The difference is minimal, with the advantage going to the option with the optional Y-connecting tube, which is slightly better in the middle of the rpm range. There is also a slight difference at the top end, but this does not affect the riding characteristics. Despite being only a first-stage tuning component, the system adds quite a bit of power to the stock engine figures. The standard option without the Y-connecting tube puts out 159.6 HP at 12800 rpm. The option with the optional Y-connecting tube was measured at 159.4 HP at 12700 rpm.

Torque: the torque curves of the two options are also very similar. There is a significant increase over the stock torque curve, especially above 6000 rpm.

CONFIGURATION

The basic configuration of the Akrapovic SLIP-ON SP SERIES system for the Yamaha R1 is as follows: the system includes two mufflers, (tubes, front rosette, end cap and interior stainless steel, outer sleeve titanium), attached under the seat with carbon-fiber clamps. The cylindrical link pipes are made of stainless steel and are welded to the mufflers. The connections of the link pipes to the stock header assembly are free-floating joints secured with metal clamps. **The system uses the stock catalytic converter.**

The Y-connecting tube can be ordered as an option, which expands the basic configuration as follows: The basic system continues with the optional Y- connecting tube, which is conical and made of stainless steel. The Akrapovic Y-connecting tube replaces the stock Y- connecting tube where the catalytic converter is located. **The catalytic converter cannot be mounted in the Akrapovic Y- connecting tube.** The link pipes and the Y-connecting tube are attached with free-floating joints secured with metal tensioning springs, as is the joint between the Y-connecting tube and the collector. The Akrapovic SLIP-ON SP SERIES has a built-in noise damper through which it conforms to regulations on exhaust system noise levels for street use.

	PERFORMANCE		
	stock	AKRAPOVIC	max. increased power
max. rear wheel power HP / rpm (measured on SuperFlow Cycle Dyn)	157.9 / 12770	159.6 / 12800 159.4 / 12700 (with Y-connecting tube)	4 / 8400 5.4 / 8360 (with Y-connecting tube)

	CONFIGURATION			
	header tubes	collector	Y-connecting tube	link pipe
material	-	-	STAINLESS STEEL	STAINLESS STEEL
tube shape	-	-	CONICAL	CYLINDRICAL

interference crossover tubes	-	lambda sensor	-
header tube inner sleeves	-	header tube flanges	-
header tubes - collector connection	-	collector - Y-connecting tube - link pipe connection	FREE FLOATING + METAL CLAMPS
link pipe - muffler connection	WELDED	muffler inlet cap /outlet cap	S.S. / S.S.
muffler metal interior	STAINLESS STEEL	muffler outer sleeve	TITANIUM
muffler clamp	CARBON-FIBER ROAD	muffler bracket	-
noise damper	HOMOLOGATED	heat shield	-

OPTIONS				
link pipe	noise damper	muffler outer sleeve	muffler bracket	heat shield
-	-	-	-	-

	ADDITIONAL DATA				
	stock	AKRAPOVIC		difference	
weight comparison (kg)	4.12	S.S. link pipe	TITANIUM link pipe	stock - S.S.	stock - titanium
	5.56 (with Y-connecting tube)	3.52	-	0.60	-
	4.17 (with Y-connecting tube)			1.39 (with Y-connecting tube)	
noise measurements (dB / rpm)	stock		AKRAPOVIC		
	97 / 6250		97 / 6250		
possibility of periodic service without removing A.E.S.	oil		oil filter		
	YES		YES		
legal for street use	YES				

Technical specifications of Akrapovic exhaust systems and related products subject to change without notice.

Akrapovic Slip-On SP Series Exhaust System for the YAMAHA YZF R1 (2004)



CARBON-FIBER
MUFFLER CLAMPS

Road
Program

Akrapovic Slip-On SP Series Exhaust System for the YAMAHA YZF R1 (2004)



CARBON-FIBER
MUFFLER CLAMPS

Akrapovic Exhaust System Technology copyright 2004, all rights reserved

Road
Program

Akrapovic Slip-On SP Series Exhaust System for the YAMAHA YZF R1 (2004)



Akrapovic Exhaust System Technology copyright 2004, all rights reserved

Road
Program

Product code: 102668 (SS-Y10SO6-HDT)



Akrapovic Slip-On SP Series Exhaust System

for the YAMAHA YZF R1 (2004)



Akrapovic Exhaust System Technology copyright 2004, all rights reserved

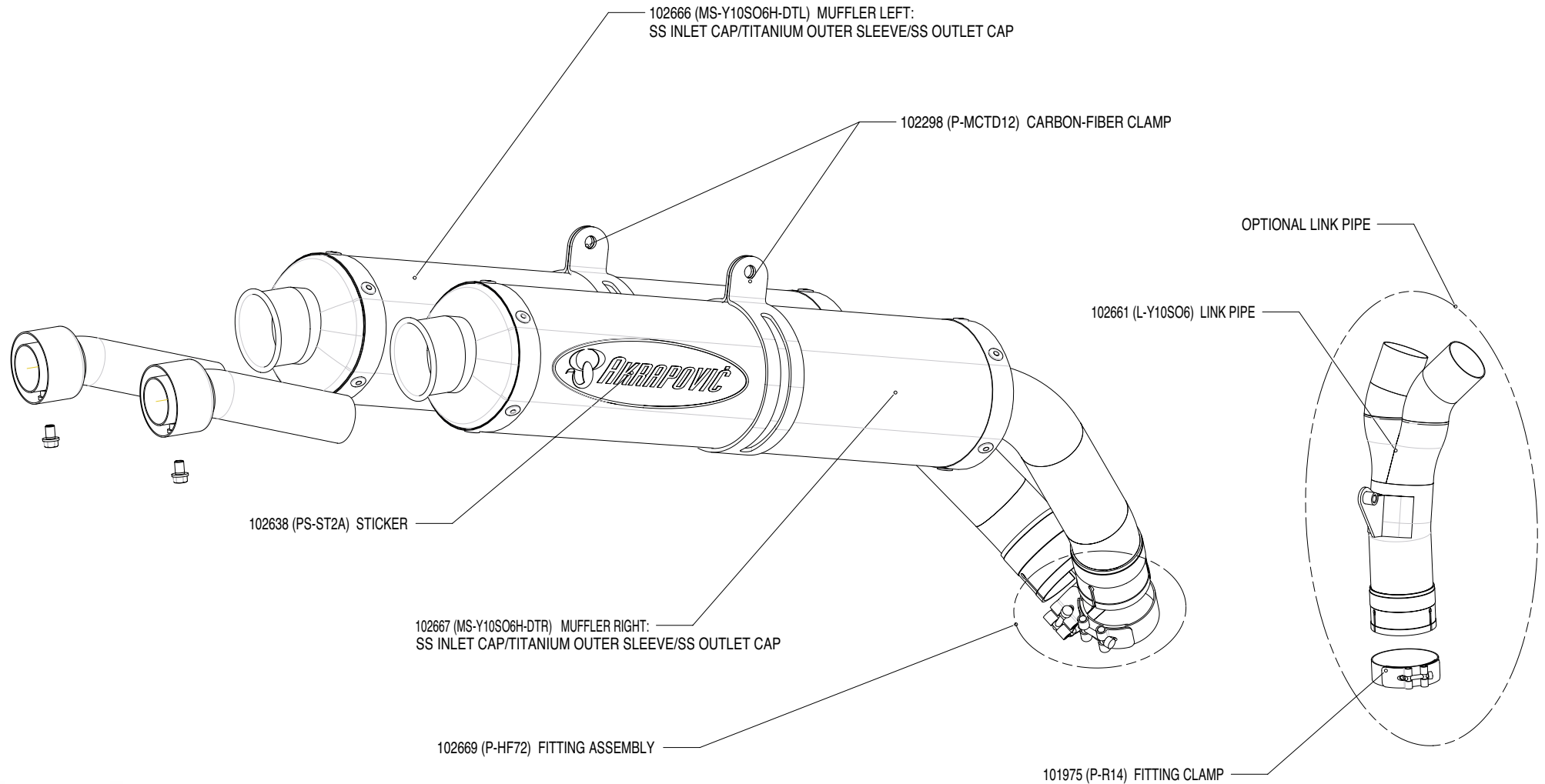
Road Program

Product code: 102668 (SS-Y10SO6-HDT)



Akrapovic Slip-On SP Series Exhaust System

for the YAMAHA YZF R1 (2004)



Akrapovic Exhaust System Technology copyright 2004, all rights reserved

Road Program

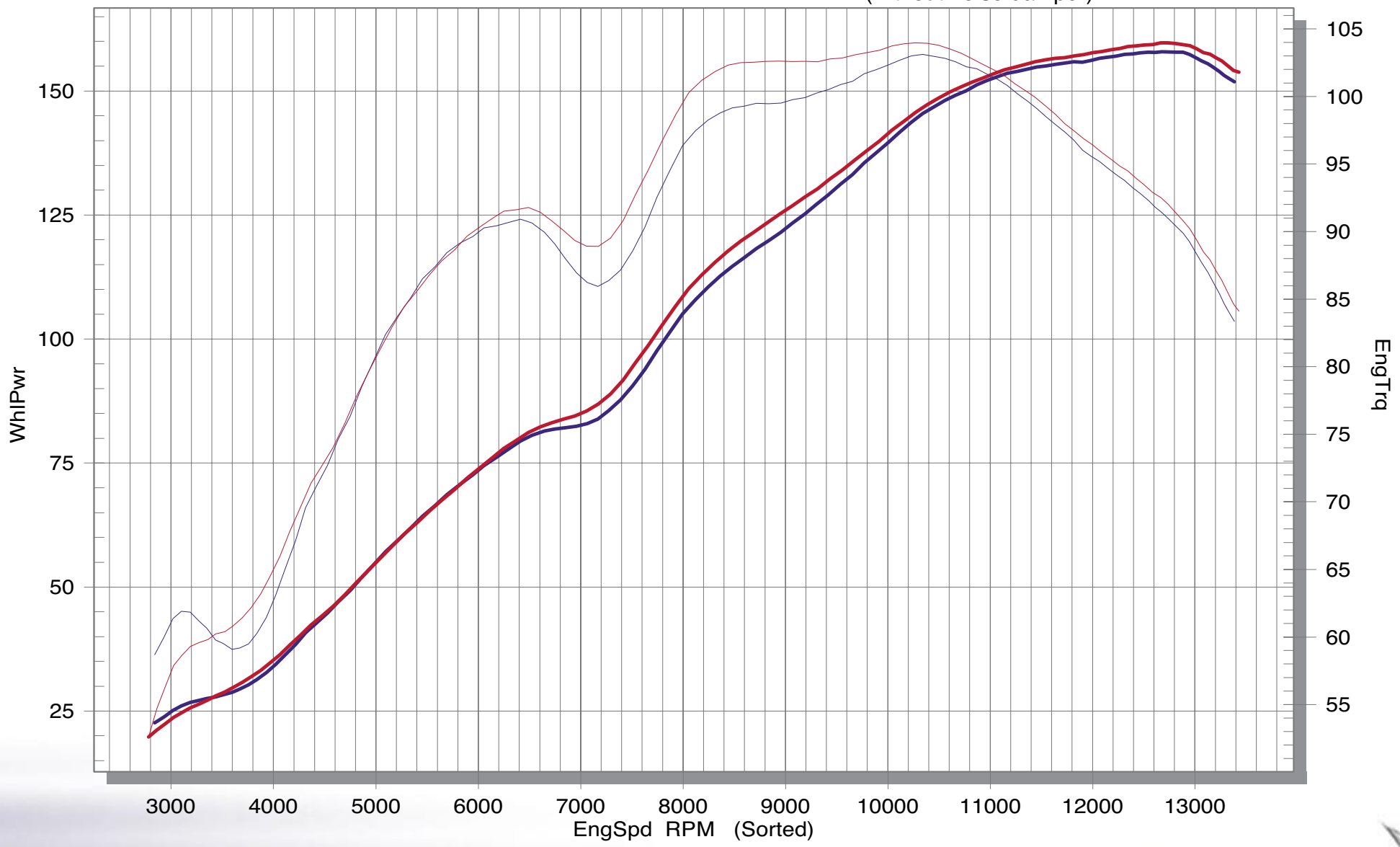


Akrapovic Slip-On SP Series Exhaust System

for the YAMAHA YZF R1 (2004)

STOCK EXHAUST

AKRAPOVIC SLIP-ON EXHAUST
(without noise damper)



Road Program

Product code: 102668 (SS-Y10SO6-HDT)



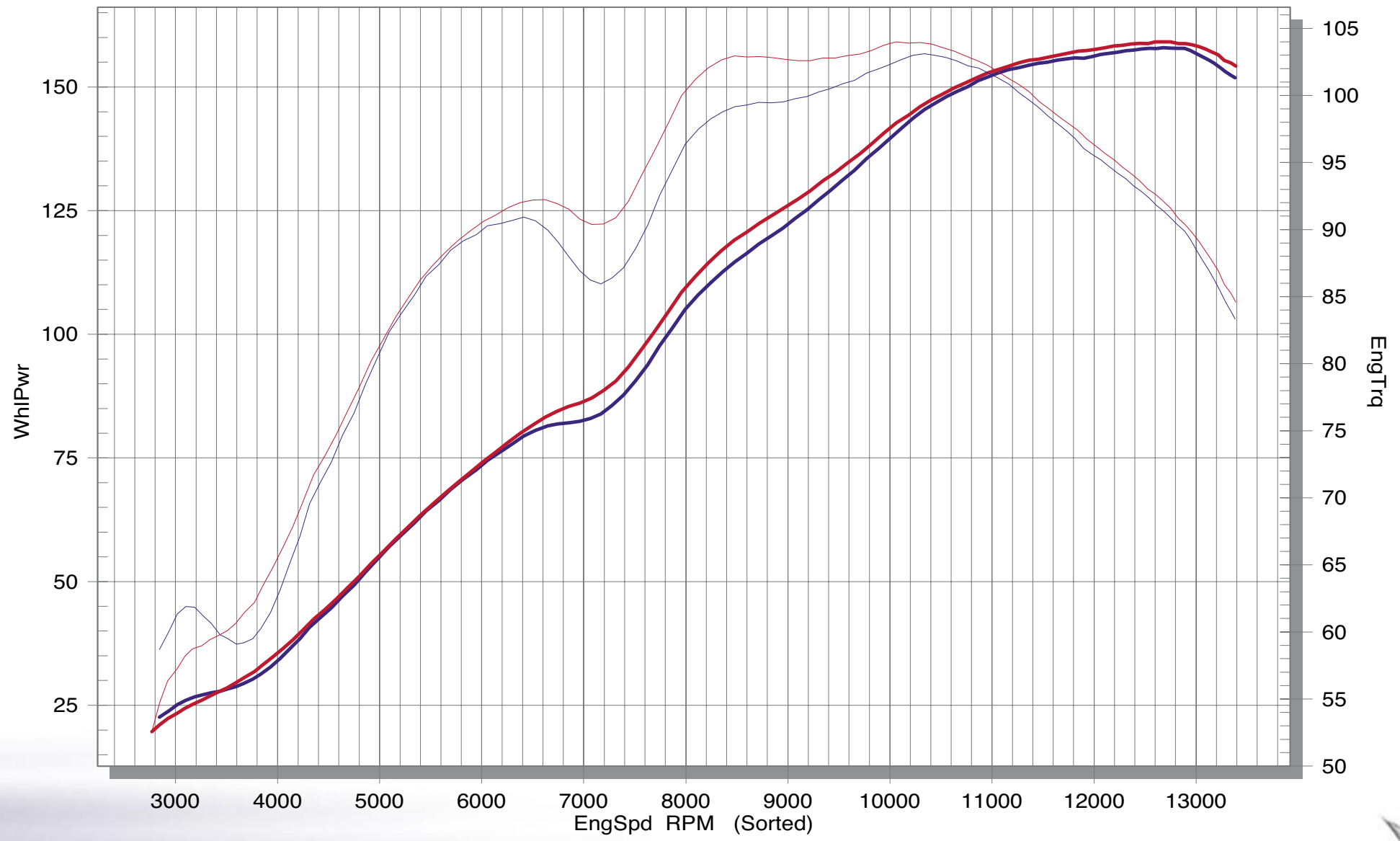
Akrapovic Exhaust System Technology copyright 2004, all rights reserved

Akrapovic Slip-On SP Series Exhaust System

for the YAMAHA YZF R1 (2004)

 STOCK EXHAUST

 AKRAPOVIC OPEN SLIP-ON EXHAUST(+ Y-optional part)
(without noise damper)



Road Program



Akrapovic Exhaust System Technology copyright 2004, all rights reserved