



**KAWASAKI Z 750**

**(2007)**

**SLIP-ON & SLIP-ON STREET LEGAL EXHAUST SYSTEM**

[www.akrapovic.net](http://www.akrapovic.net)

The Akrapovic SLIP-ON series represents the first step of tuning in our product range. It is an excellent combination of price, performance and top quality materials. The sharp looking Kawasaki Z 750 will look and sound even more sporty. We offer two muffler options, one with a carbon-fiber and the other with a titanium outer sleeve. You can also choose between an open system for closed course purposes only or a homologated street legal version.

## PERFORMANCE

**Measurements of the Akrapovic SLIP-ON OPEN system on the Kawasaki Z 750 (without noise damper):**

The linear shape of the power curve and the increased power output from low end to high end indicate the excellent design of the Akrapovic exhaust system. We measured the largest power increase of 3.8 HP at 11070 rpm. The Akrapovic SLIP-ON is even better when it comes to torque. It fills the drop-outs at around 3200 rpm, 4500 rpm and 6000 rpm beautifully, smoothing out the engine's operation. Torque is increased from 3000 rpm on and continues throughout the entire torque curve, making the engine even more responsive and user friendly.

## CONFIGURATION

SLIP-ON exhaust systems are made of high-quality titanium and carbon fiber. The system is composed of a cylindrical stainless steel link pipe, connected to the muffler with a sleeve joint, secured using silicon-shielded tensioning springs. The muffler interior is made entirely of titanium. The outer sleeve is available in titanium or carbon fiber. The muffler has a built-in noise damper, and conforms to regulations for street use. It is attached to the bike using an Akrapovic carbon-fiber clamp.

Technical specifications of Akrapovic exhaust systems and related products subject to change without notice.

Product code: S-K7SO2-ZC (107975), S-K7SO2-ZT (107974) slip-on  
S-K7SO2C-HZT (108268) slip-on street legal

	PERFORMANCE		
	stock	AKRAPOVIC	max. increased power
max. rear wheel power HP / rpm <small>(measured on Dynojet ATV)</small>	97.3 / 10600	100.3 / 10700	3.8 / 11070

	CONFIGURATION		
	header tubes	collector	link pipe
material	-	-	STAINLESS STEEL
tube shape	-	-	CYLINDRICAL

interference crossover tubes	-	lambda sensor	NO
header tube inner sleeves	-	header tube flanges	-
header tubes - collector connection	-	collector / header tube - link pipe connection	SLEEVE JOINT+ STOCK METAL CLAMP
link pipe - muffler connection	SLEEVE JOINT + SILICON SHIELDED SPRING	muffler inlet cap / outlet cap	Ti / Carb.-fiber
muffler metal interior	Ti	muffler outer sleeve	Ti / Carb.-fiber
muffler clamp	CARBON-FIBER	muffler bracket	-
muffler insert	EU	YES	heat shield
	US	-	catalytic converter
			NO

	ADDITIONAL DATA				
	stock	AKRAPOVIC		difference	
weight comparison (kg)	6.24	S.S. link pipe	TITANIUM link pipe	stock - S.S.	stock - titanium
		2.13	-	4.11	-
noise measurements (dB / rpm)	stock		AKRAPOVIC		
	96 / 5250		97.4 / 5250 (with insert)		
possibility of periodic service without removing A.E.S.	oil		oil filter		
	YES		YES		
legal for street use	NO / YES				



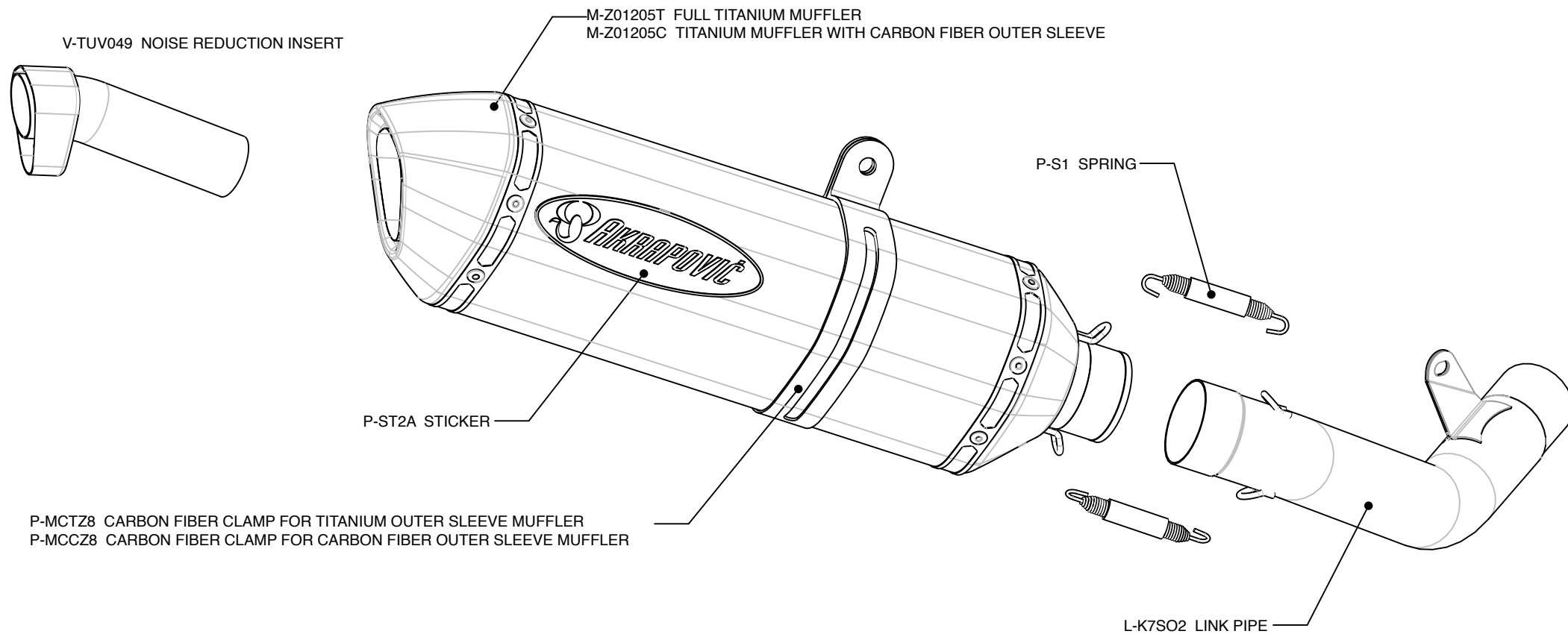
Product code: S-K7SO2-ZC (107975), S-K7SO2-ZT (107974) slip-on  
S-K7SO2C-HZT (108268) slip-on street legal



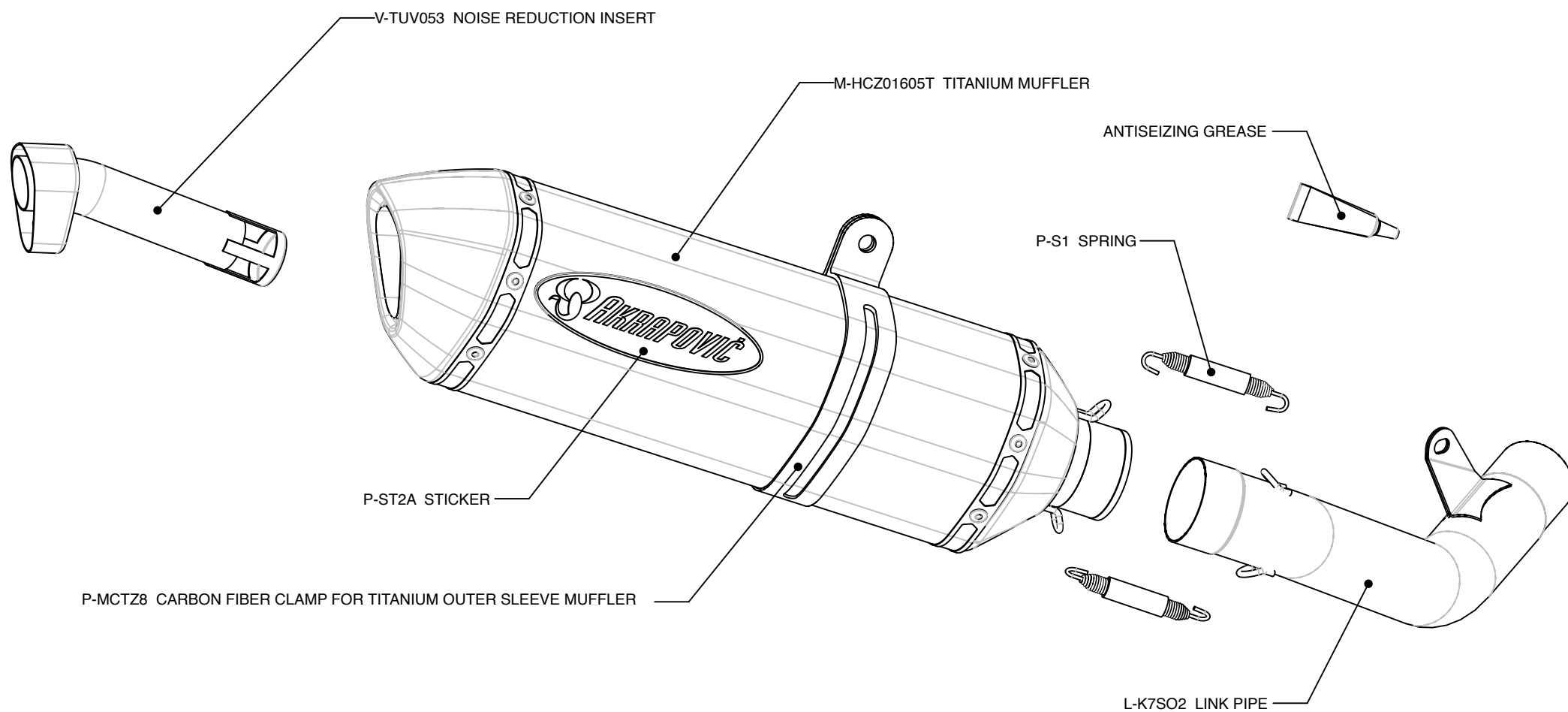
Product code: S-K7SO2-ZC (107975), S-K7SO2-ZT (107974) slip-on  
S-K7SO2C-HZT (108268) slip-on street legal



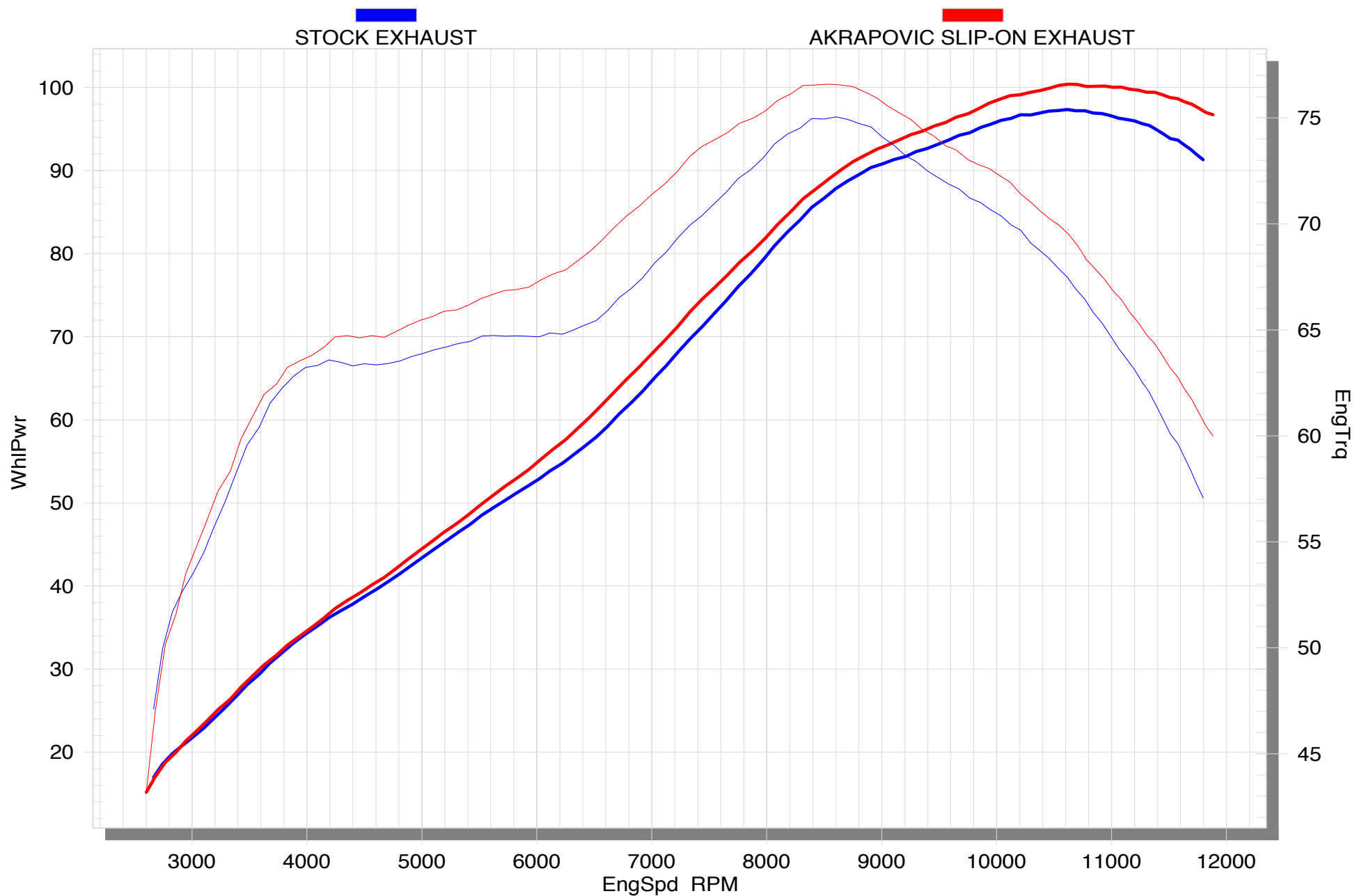
Product code: S-K7SO2-ZC (107975), S-K7SO2-ZT (107974) slip-on  
S-K7SO2C-HZT (108268) slip-on street legal



Product code: S-K7SO2-ZC (107975), S-K7SO2-ZT (107974) slip-on  
S-K7SO2C-HZT (108268) slip-on street legal



Product code: S-K7SO2-ZC (107975), S-K7SO2-ZT (107974) slip-on  
S-K7SO2C-HZT (108268) slip-on street legal



Product code: S-K7SO2-ZC (107975), S-K7SO2-ZT (107974) slip-on  
S-K7SO2C-HZT (108268) slip-on street legal