

BMW S 1000 RR (2010)

RACING & EVOLUTION EXHAUST SYSTEM

Akrapovic Racing and Evolution systems are designed for riders who demand maximum performance from their motorcycle. Both systems are significantly lighter, if compared to the stock exhaust system and feature exceptional production quality, hi-tech materials and of course increased engine performance combined with pure racing sound output. The Akrapovic Racing and Evolution systems were developed to complement the racing character of the S 1000 RR. The Evolution system is made entirely of our exclusive high grade titanium while the Racing system uses stainless steel header tubes and link pipe. We offer titanium or carbon-fiber muffler for each combination. Both systems are not street legal and are designed for racing purpose only.

PERFORMANCE

Measurements of the Akrapovic Raving & Evolution system on the BMW S 1000 RR (without muffler insert):

Power & Torque: The power increase with the Akrapovic system is substantial, and can be seen from 7000 rpm right to the top of the range. At 13270 rpm we measured 191.30 HP, with a max. power increase of 11.15 HP at 8450 rpm. The system's effect on the torque and power curve is huge and strongest at midrange rpm. The main increase starts at around 4500 rpm and continues right into the over-rev range. All this will help you shave lap times and result in a much smoother ride.



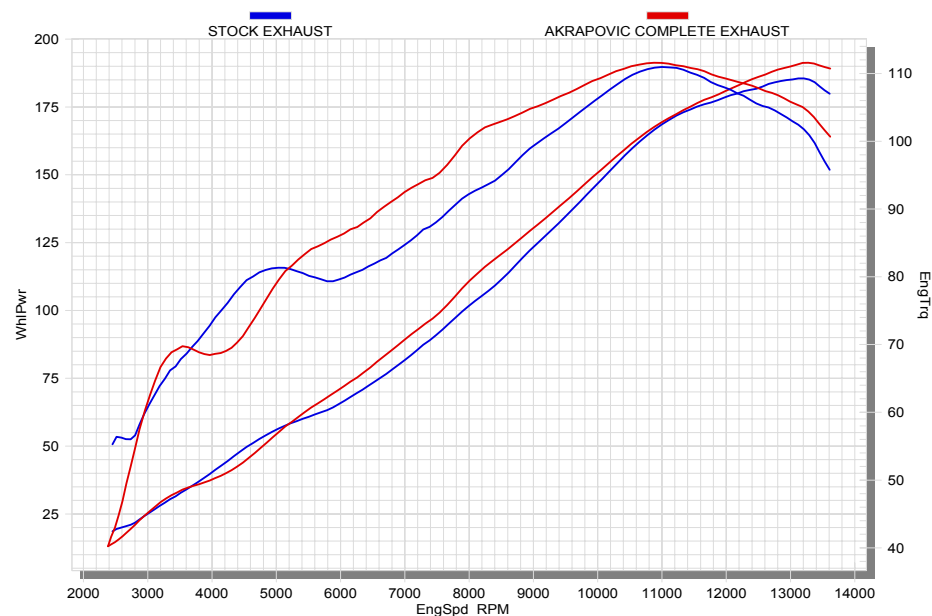
PERFORMANCE			
	stock	AKRAPOVIC	max. increased power
max. rear wheel power HP / rpm <small>(measured on SuperFlow Cyle Dyn)</small>	185.53 / 13120	191.30 / 13270	11.15 / 8450

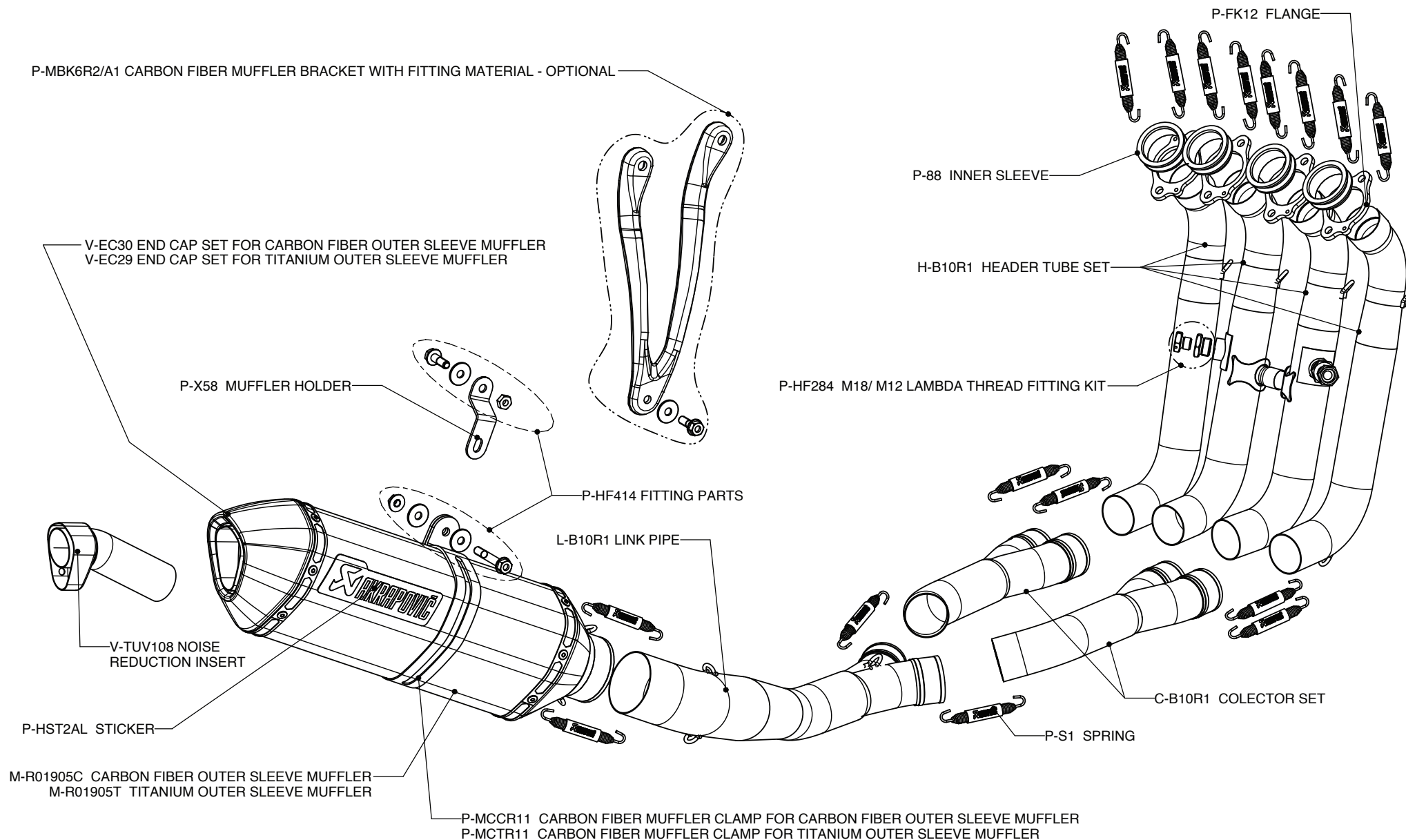
ADDITIONAL DATA					
weight comparison (kg)	stock	AKRAPOVIC		difference	
	11.76	RACING	EVOLUTION	stock - RACING	stock - EVOLUTION
		5.53	4.19	6.23	7.57

noise measurements (dB / rpm)	stock	AKRAPOVIC
		101.2 / 6000
legal for street use	NO	

Technical specifications of Akrapovic exhaust systems and related products subject to change without notice.

Product code: S-B10R1-RC, S-B10R1-RT
S-B10E1-RT, S-B10E1-RC



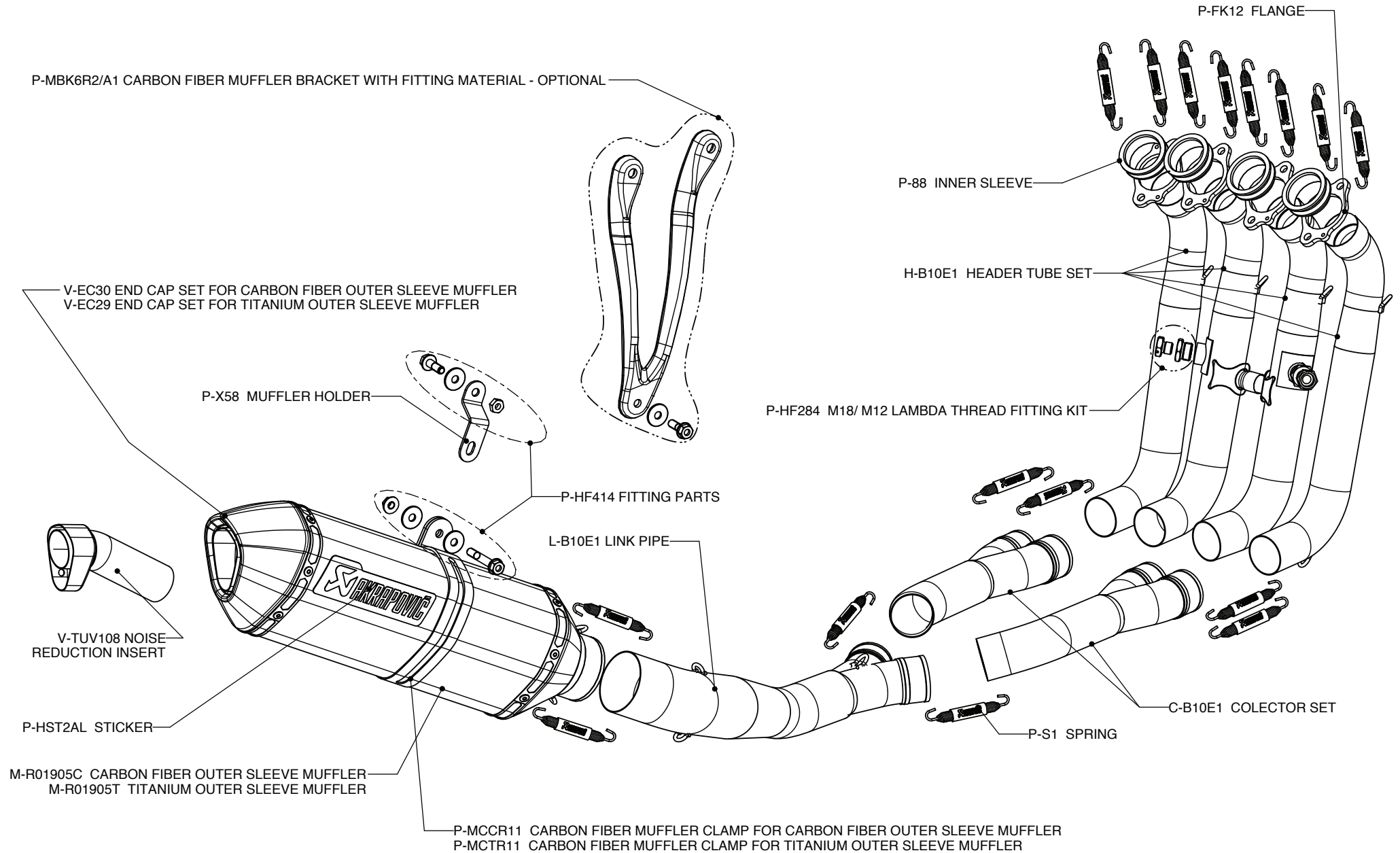


Product code: S-B10R1-RC, S-B10R1-RT



www.akrapovic.com

Akrapović d.d. 2009 all rights reserved
18.09.2010



Product code: S-B10E1-RT, S-B10E1-RC